

SW220/320/420

CENTRIFUGAL PUMP



- Liquid temperature: 0 - 70°C/32 - 158°F
- HP range: 2 ~ 4HP / 1.5 ~ 3KW
- PH: 6 - 8
- Rated Speed: 2900 rpm
- Protection calss: IP55
- Maximum suction: 2M

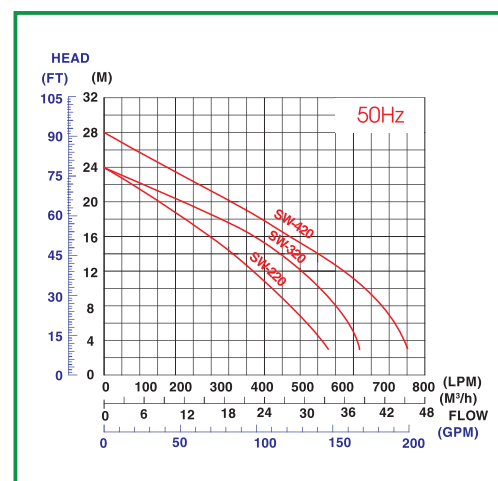
Features

1. All the material is stainless steel. No rusty issue
2. Staibless steel close impeller & High head
3. It can endure light acid and alkali

Applications

1. Gardening & Sprinkling
2. Air conditioner, cleaning and heating system
3. Fluid of PH6-8 pump application
4. Pool system
5. Filtration system
6. Farm irrigation

Curve

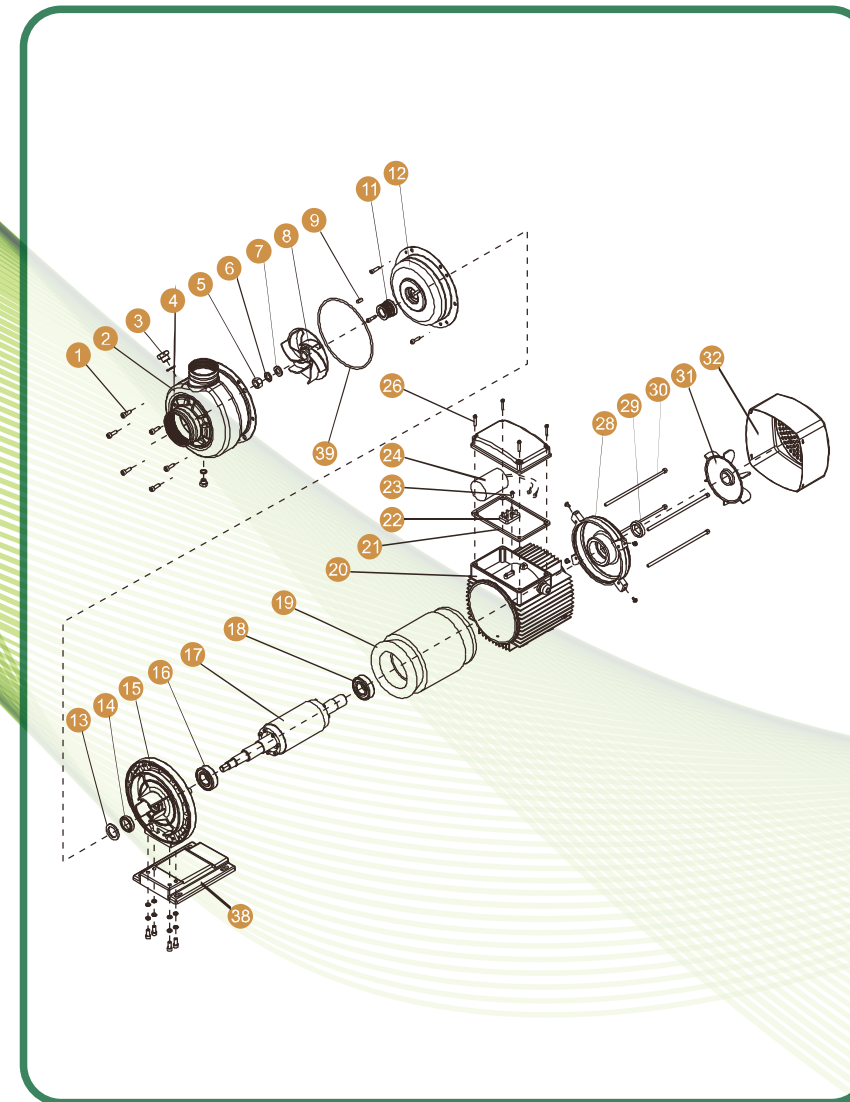
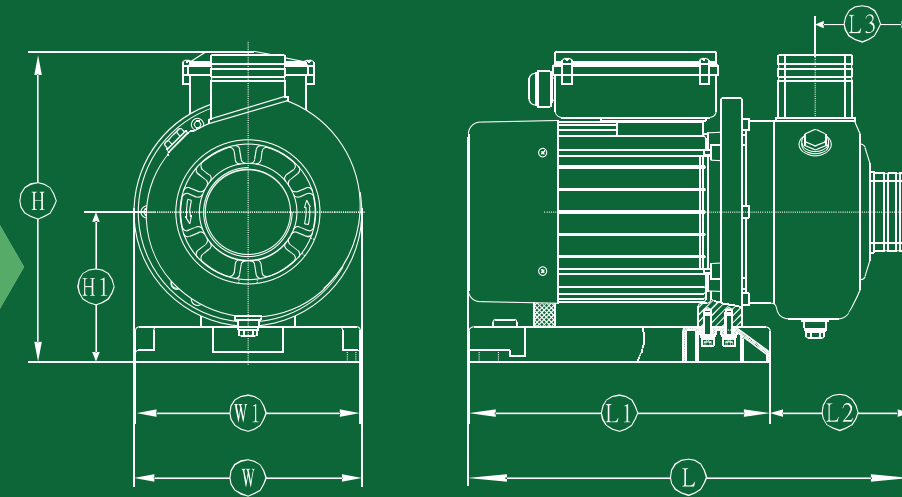


Dimension

Model	Dimesion							
	L	L1	L2	L3	W	W1	H	H1
SW-220(T)	378	255	123	82	193	190	258	125
SW-320(T)	415	255	160	82	193	190	258	125
SW-420(T)	432	255	177	82	193	190	258	125

Specification

Model No.	Output HP KW	Outlet mm inch	Max Flow (LPM)	LPM Flow @ Head								Max Head (M)	Weight (Kg)
				6M	9M	12M	15M	18M	21M	24M			
SW-220(T)	2 1.5	50 2"	630	600	550	485	410	320	200		24	24	
SW-320(T)	3 2.2	50 2"	650	640	620	590	550	500	420	300	29	25	
SW-420(T)	4 3	50 2"	680	670	650	620	585	540	480	380	31	28	



Construction

No	Description	Material
1	Bolt	SUS304
2	Clip connection	SUS304
3	Prim ing plug	SUS304
4	O-ring	FPM
5	Nut	SUS304
6	Spring Washer	SUS304
7	Flat Washer	SUS304
8	Close Impeller-SW	SUS304
9	Flat Key	SUS304
11	Mechanical Seal	Carbon/NBR/Cemic
12	Pump Cover	SUS304
13	Washer	EPDM
14	Reineorced Seal	NBR
15	Front end Bearing	Alumium
16	Bearing	NSK
17	Rotor in Total	
18	Bearing	NSK
19	Stator in total	
20	Base	Alumium
21	Rubber Mat	NBR
22	Terminal Block	
23	Bolt	Zinc Plated
24	Capacitor	
26	Bolt	Zinc Plated
28	Back end Cover	Alumium
29	Reinforce Seal	NBR
30	Bolt	Zinc Plated
31	Fan	PP
32	Fan Cover	08F
38	Base	FCD
39	Labyrinth Ring	SUS304
40	O-ring	FPM