

Application

- It can be used to transfer clean water or other liquids similar to water in physical and chemical properties. It is suitable for industrial use and urban water supply, pressure boosting for high buildings and fire fighting, garden irrigation, long-distance water transfer, heating ventilation and air controlling, circulation and pressure boosting for cold and hot water, and supporting equipment etc.

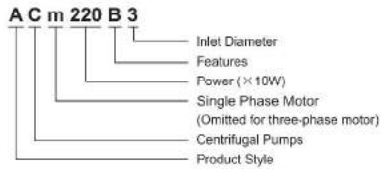
Pump

- Cast iron pump body and support under special anti-rust treatment
- AISI 304 shaft
- Max. liquid temperature: +80°C
- Max. suction: +8 m

Motor

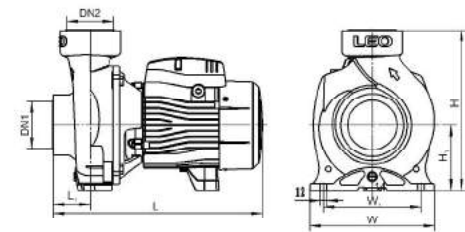
- C&U bearing
- Motor with copper winding
- Built-in thermal protector for single phase motor (≤1.5 kW)
- Insulation class: F
- Protection class: IPX4
- Max. ambient temperature: +40°C

Identification Codes



Technical Data

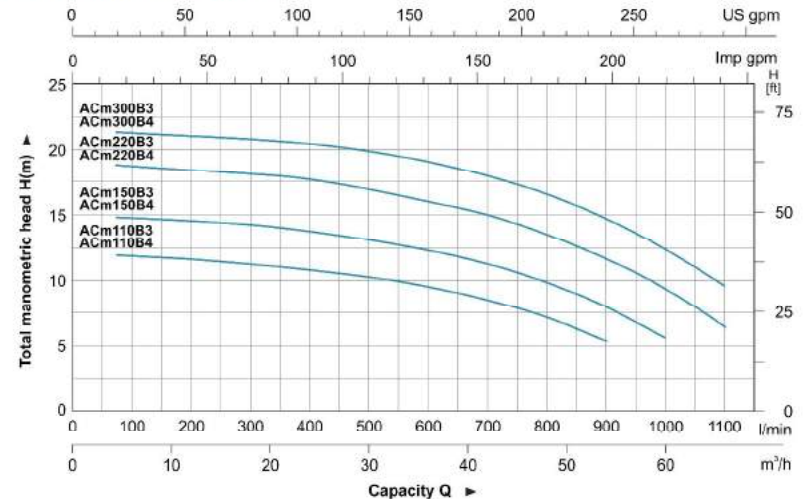
MODEL		POWER		Q (m³/h)																						
Single Phase	Three Phase	kW	HP	0	12	18	24	30	36	42	48	54	60	66	H (m)											
				Q (l/min)	0	200	300	400	500	600	700	800	900	1000	1100	0	25	50	75	100	125	150				
ACm110B3	AC110B3	1.1	1.5		12.5	12.5	12.1	11.5	10.5	9.5	8.4	7.1	5.5			12.5	12.5	12.1	11.5	10.5	9.5	8.4	7.1	5.5		
ACm110B4	AC110B4	1.1	1.5		12.5	12.5	12.1	11.5	10.5	9.5	8.4	7.1	5.5			14.5	14.3	14	13.5	12.8	12	11.2	9.9	8.4	6	
ACm150B3	AC150B3	1.5	2		14.5	14.3	14	13.5	12.8	12	11.2	9.9	8.4	6		17.5	17.3	17.1	16.5	16	15.2	14.2	13.2	11.7	10	7.2
ACm150B4	AC150B4	1.5	2		14.5	14.3	14	13.5	12.8	12	11.2	9.9	8.4	6		17.5	17.3	17.1	16.5	16	15.2	14.2	13.2	11.7	10	7.2
ACm220B3	AC220B3	2.2	3		20	19.8	19.6	19.5	19	18.3	17.5	16.2	14.6	13	10	20	19.8	19.6	19.5	19	18.3	17.5	16.2	14.6	13	10
ACm220B4	AC220B4	2.2	3		20	19.8	19.6	19.5	19	18.3	17.5	16.2	14.6	13	10	20	19.8	19.6	19.5	19	18.3	17.5	16.2	14.6	13	10
ACm300B3	AC300B3	3	4		20	19.8	19.6	19.5	19	18.3	17.5	16.2	14.6	13	10	20	19.8	19.6	19.5	19	18.3	17.5	16.2	14.6	13	10
ACm300B4	AC300B4	3	4		20	19.8	19.6	19.5	19	18.3	17.5	16.2	14.6	13	10	20	19.8	19.6	19.5	19	18.3	17.5	16.2	14.6	13	10



Dimension

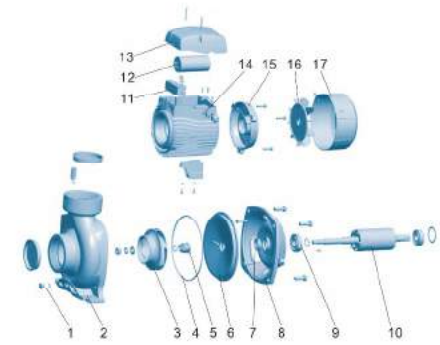
Model	DN1	DN2	L (mm)	W (mm)	H (mm)	L ₁ (mm)	W ₁ (mm)	H ₁ (mm)
ACm110B3	3"	3"	386	230	295	68	180	120
ACm110B4	4"	4"	393	230	295	75	180	120
ACm150B3	3"	3"	386	230	295	68	180	120
ACm150B4	4"	4"	393	230	295	75	180	120
ACm220B3	3"	3"	453	230	295	68	180	120
ACm220B4	4"	4"	460	230	295	75	180	120
ACm300B3	3"	3"	453	230	295	68	180	120
ACm300B4	4"	4"	460	230	295	75	180	120

Hydraulic Performance Curve



Materials Table

No.	Part	Material
1	Filling plug	HP55-1
2	Pump body	HT200
3	Impeller	HP55-1
4	Giring	NBR
5	Mechanical seal	Carbon/graphic
6	Bracket cover	HT200
7	Oil seal	
8	Support	HT200
9	Bearing	
10	Rotor	
11	Terminal board	PC
12	Capacitor	
13	Capacitor box	ABS
14	Stator	
15	End plate	ZL102
16	Fan	PP
17	Fan cover	PP



Package Information

Model	GW (Kgs)	L (mm)	W (mm)	H (mm)	Quantity (PCS/20'EU)
ACm110B3	26.3	435	265	315	770
ACm110B4	29.5	436	265	315	770
ACm150B3	27.2	435	265	315	770
ACm150B4	30.4	435	265	315	770
ACm220B3	34.8	500	265	315	680
ACm220B4	38	500	265	315	680
ACm300B3	37.3	500	265	315	680
ACm300B4	40.5	500	265	315	680