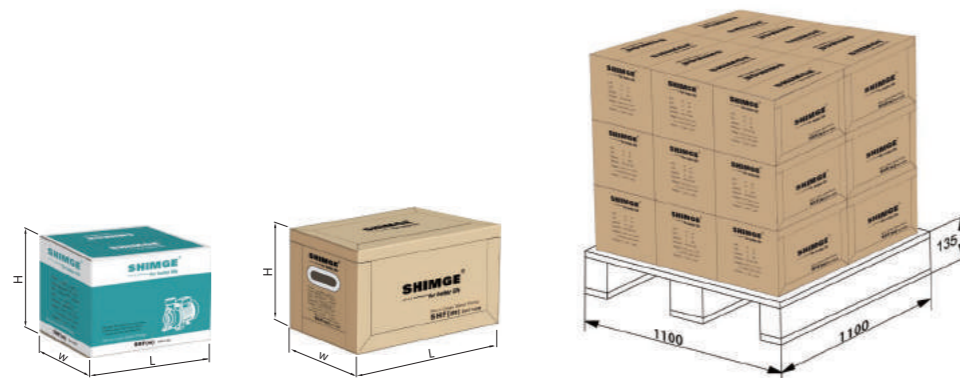


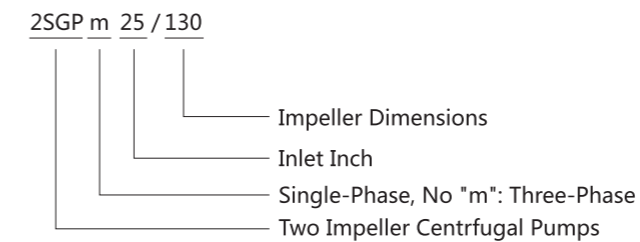
**Packing Size & Weight**

Model		Dim.(L×W×H) mm	G.W.(kg)		20'Loading Qty. (pcs)
Single-Phase	Three-Phase		Single-Phase	Three-Phase	
SGAm1A	--	350×235×255	12	--	1520
SGAm1B	--	350×235×255	11	--	1520
SHFm5A	--	365×240×265	14.5	--	1386
SHFm5B	--	365×240×265	13.5	--	1386
SHFm5AM	SHF5AM	425×250×290	22.5	24.5	1024
SHFm5BM	--	425×250×290	20.5	--	1024
SHFm6A	SHF6A	510×295×355	37	35	584
SHFm6B	--	460×285×345	31	--	695
SHFm6C	--	460×285×345	31	--	695
SHFm6AR	SHF6AR	510×295×355	39	39	584
SHFm6BR	--	460×285×345	30.5	--	695
SHFm6CR	--	460×285×345	28.5	--	695
--	SHF20B	560×320×400	--	46	400
--	SHF20A	560×320×400	--	50	400
--	SHF30B	590×340×430	--	66	350
--	SHF30A	640×340×430	--	80	300



2SGP(m)

**Model Instruction**



**Applications Fields**

- ◉ Suitable for transferring water without abrasive particles or other liquid whose properties are similar to water.
- ◉ Widely used in garden irrigation, vegetable greenhouse water supply, breeding industry water supply and drainage, various corollary equipment, etc.

**Performance Range**

- ◉ Max. Flow: 12m<sup>3</sup>/h
- ◉ Max. Head: 50m

**Application Limits**

- ◉ Suction head up to 8m
- ◉ Liquid temperature up to +40°C
- ◉ Ambient temperature up to +40°C
- ◉ Max. Working pressure: 5bar
- ◉ Voltage fluctuation should not exceed 10% of rated value.
- ◉ pH: 6.5 to 8.5

**Certificate**



**Features**

- ◉ Double impeller centrifugal pump, satisfies the requirement of high head.
- ◉ Compact structure

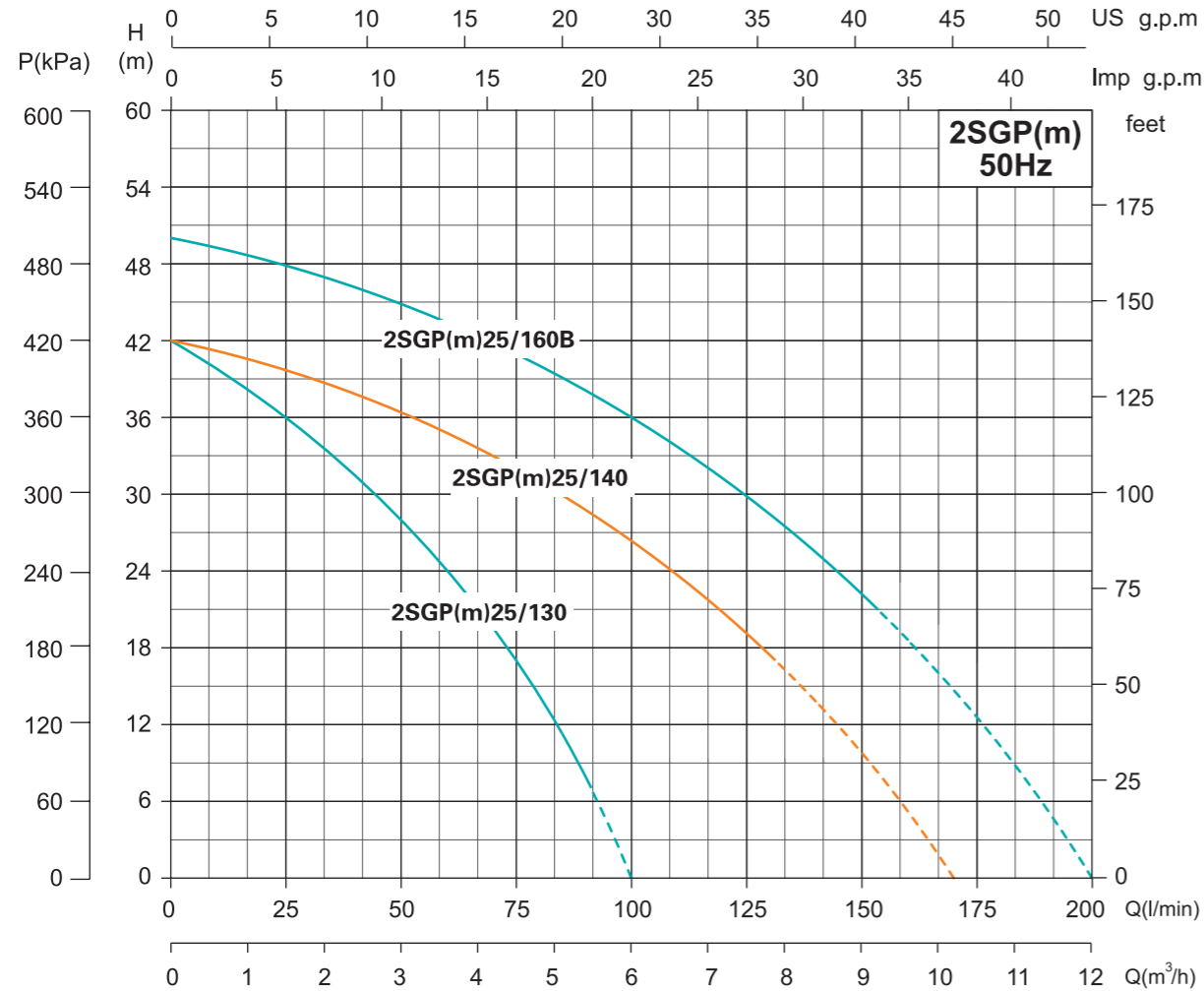
**Motor**

- ◉ Single-Phase 220V/50Hz
- ◉ Three-Phase 380V/50Hz
- ◉ Mechanical seal: Ceramic /Graphite/NBR rubber
- ◉ Motor: 2 pole asynchronous motor, copper wires, built-in thermal protector, fully closed fan cooling, continuous running
- ◉ Protection: IP44
- ◉ Insulation: Class B

**Optional Available on Request**

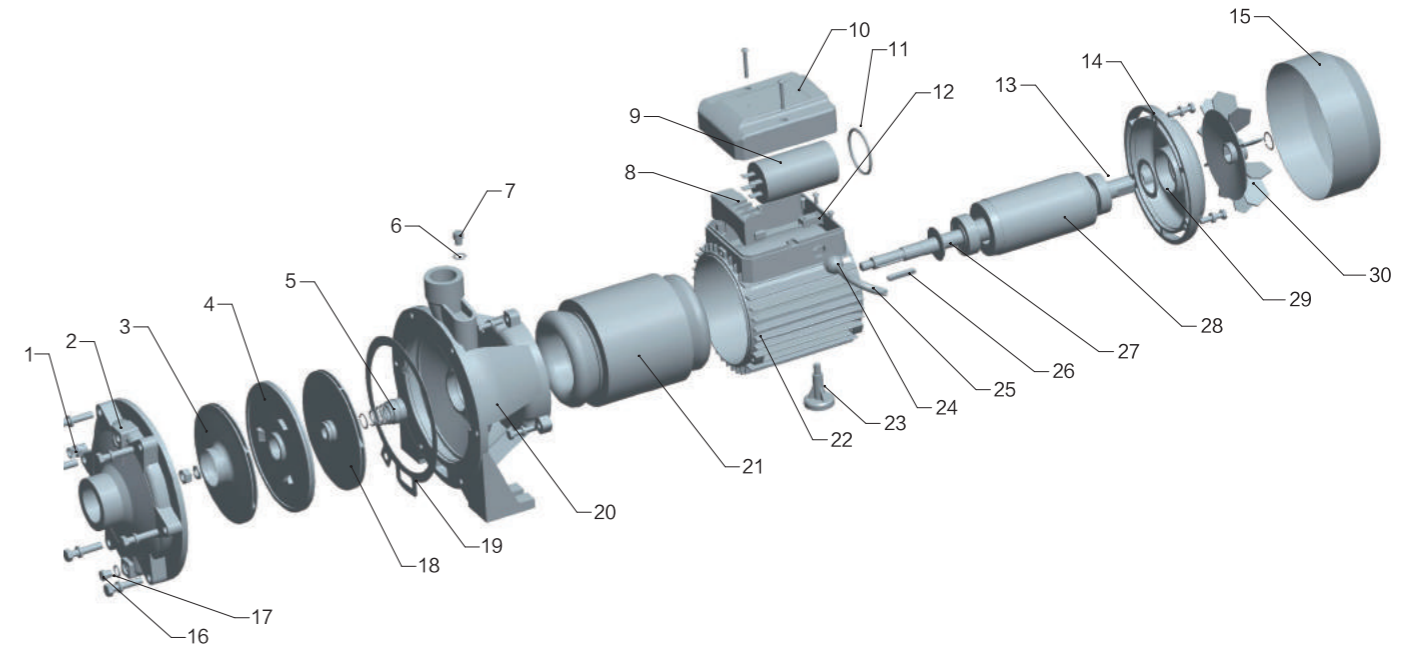
- (\* Standard configuration on Page 28)
- ◉ NSK bearing
- ◉ Motor whose insulation class is F

Performance Curve



Model		Power		Max. Flow (m³/h)	Max. Head (m)	Head Range (m)	Max. Suction (m)
Single-Phase	Three-Phase	kW	HP				
2SGPm25/130	2SGP25/130	0.75	1	6	42	7~42	8
2SGPm25/140	2SGP25/140	1.1	1.5	10.2	42	17~42	8
2SGPm25/160	2SGP25/160B	1.5	2	12	50	22~50	8

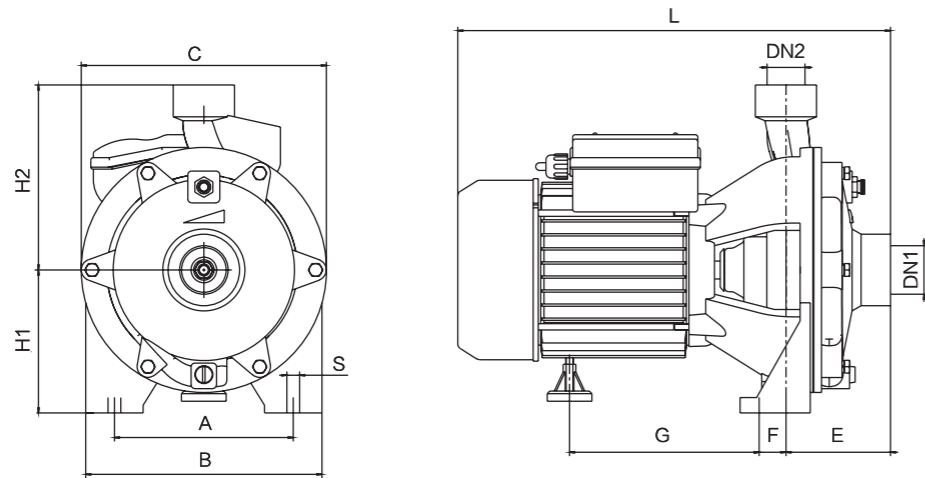
Components & Materials



No.	Component	No.	Component	No.	Component
1	Air Faucet	12	Cable Control Cover	23	Foot
2	Pump Body	13	Bearing	24	Cable Sleeve
3	Impeller	14	End Cover	25	Cable
4	Pump Cover	15	Fan Cover	26	Key
5	Mechanical Seal	16	Water Faucet	27	Waterproof Ring
6	O-ring	17	O-ring	28	Rotor
7	Air Faucet	18	Impeller	29	Wave Spring
8	Terminal Board	19	Gasket	30	Fan
9	Capacitor	20	Coupling		
10	Terminal Block Cover	21	Stator		
11	O-ring	22	Motor Case		

NO.	Model	2SGPm25/130	2SGP25/130	2SGPm25/140	2SGP25/140	2SGPm25/160B	2SGP25/160B
9	Capacitor(μF)	20μF/450V	/	40μF/450V	/	45μF/450V	/
13	Bearing	6202-2RZ		6204-2RZ			
	Motor Shaft	304+Steel 45#					
5	Mechanical Seal	155-14/28 S:A(P) /Stationary seal ring ø26 L pad		155-17/30 S:A(P)/Stationary seal ring ø27 L pad			
		A:Graphite S:RBSC P:NBR					
22	Motor Bracket	Aluminum					
20	Coupling	Cast iron					
2	Pump Body	Cast iron					
3/18	Impeller	Brass				AISI 304	

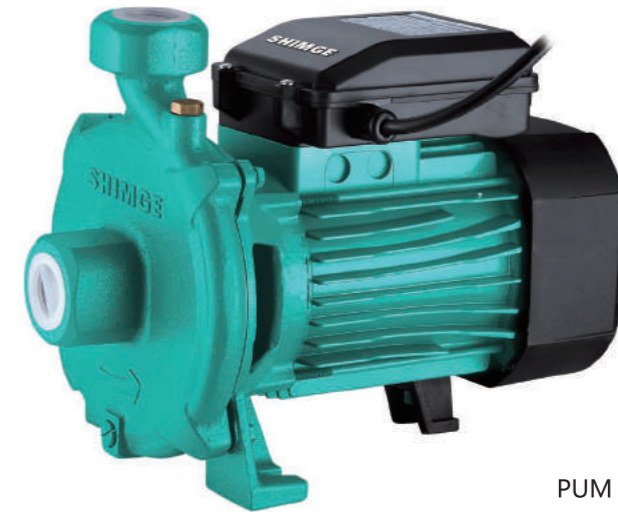
Dimensions & Weight



Model		DN1	DN2	Dim.(mm)										N.W. (kg)
Single-Phase	Three-Phase	(Inch)		A	B	C	E	F	G	L	S	H1	H2	
2SGPm25/130	2SGP25/130	1.25	1	140	185	192	82	21	148.5	339	10	112	145	15/14.5
2SGPm25/140	2SGP25/140	1.5	1	165	210	215	88	34	185	395.5	10	112	150	22/21
2SGPm25/160B	2SGP25/160B	1.5	1	165	210	215	88	34	185	395.5	10	112	150	25/24.5

Packing Size & Weight

Model		Dim.(L×W×H)	G.W.(kg)		20' Loading Qty. (pcs)
Single-Phase	Three-Phase	mm	Single-Phase	Three-Phase	
2SGPm25/130	2SGP25/130	385×235×280	18	17.5	1270
2SGPm25/140	2SGP25/140	445×255×300	24	24	885
2SGPm25/160B	2SGP25/160B	445×255×300	27	26.5	885



PUM

Model Instruction

PUM 200  
 └── Type Range  
 └── Centrifugal Pumps

Applications Fields

- ◉ Suitable for transferring water without abrasive particles or other liquid whose properties are similar to water.
- ◉ Widely used in solar boosting, water heater boosting, air energy boosting, various corollary equipment, etc.

Performance Range

- ◉ Max. Flow: 7.2m<sup>3</sup>/h
- ◉ Max. Head: 27m

Features

- ◉ Stainless steel impeller, shaft 304
- ◉ Specially designed for view of the hot water circulation
- ◉ High quality mechanical seal, NSK bearing, improve the reliability of the product

Application Limits

- ◉ Suction head up to 8m
- ◉ Liquid temperature up to +90°C
- ◉ Ambient temperature up to +40°C
- ◉ Max. Working pressure: 3bar
- ◉ Voltage fluctuation should not exceed 10% of rated value.
- ◉ pH: 6.5 to 8.5

Motor

- ◉ Single-Phase 220V/50Hz
- ◉ Motor: 2 pole asynchronous motor, copper wires, built-in thermal protector, fully closed fan cooling, continuous running
- ◉ Protection: IP44
- ◉ Insulation: F

Certificate



Optional Available on Request

- (\* Standard configuration on Page 32)
- ◉ NSK bearing
- ◉ Motor whose insulation class is F
- ◉ Other voltage or frequency is 60Hz