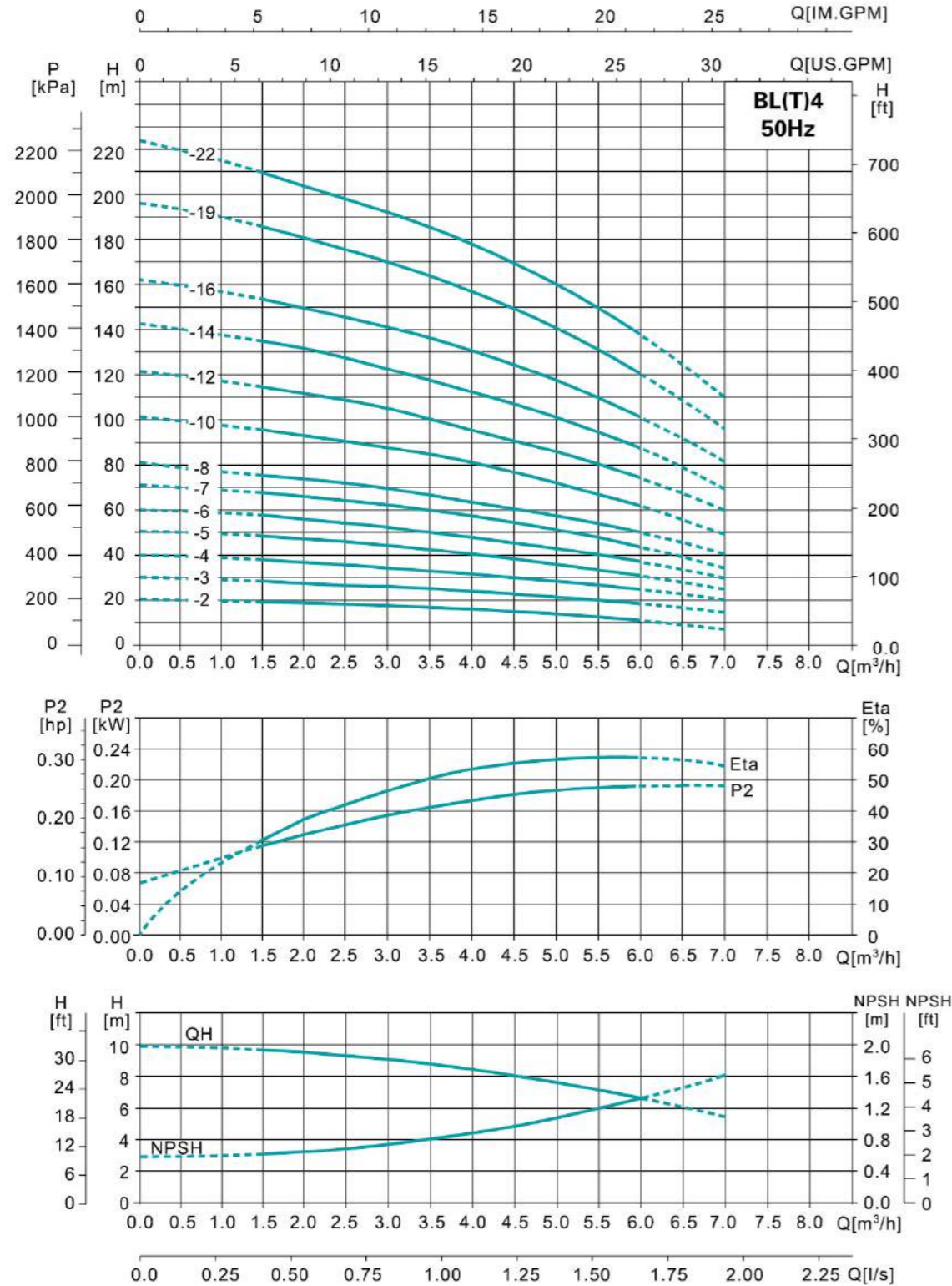


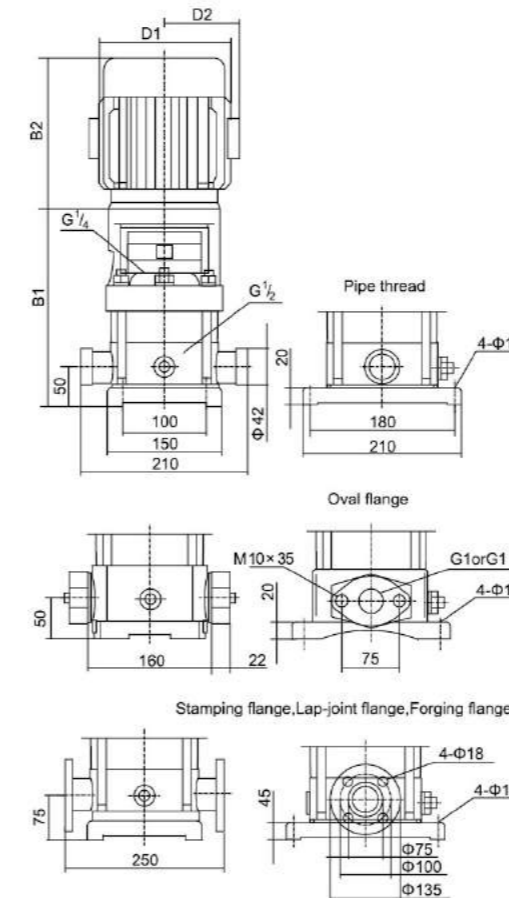
Performance Curve - BL(T)4



It is recommended to be used within lift range.

Performance Table

Model	Power		Q (m³/h)	1.5	2	3	4	5	6	Head Range (m)
	kW	HP								
BL(T)4-2	0.37	0.5	H (m)	19	18	17	15	13	10	10~19
BL(T)4-3	0.55	0.75		28	27	26	24	20	18	18~28
BL(T)4-4	0.75	1		38	36	34	32	27	24	24~38
BL(T)4-5	1.1	1.5		47	45	43	40	34	31	31~47
BL(T)4-6	1.1	1.5		56	54	52	48	41	37	37~56
BL(T)4-7	1.5	2		66	63	61	56	48	43	43~66
BL(T)4-8	1.5	2		74	72	70	64	55	50	50~74
BL(T)4-10	2.2	3		96	90	87	81	71	62	62~96
BL(T)4-12	2.2	3		114	108	104	95	85	75	75~114
BL(T)4-14	3	4		136	126	122	112	101	89	89~136
BL(T)4-16	3	4		152	144	140	129	115	101	101~152
BL(T)4-19	4	5.5		183	171	168	153	137	122	122~183
BL(T)4-22	4	5.5		211	200	192	178	160	138	138~211



Dimensions & Weight

Model	Dim.(mm)					N.W.(kg)
	B1	B2	B1+B2	D1	D2	
BL(T)4-2	278	220	498	135	86	22/28
BL(T)4-3	305	220	525	135	86	25/30
BL(T)4-4	340	255	595	148	96	28/33
BL(T)4-5	367	255	622	148	96	30/35
BL(T)4-6	394	255	649	148	96	31/36
BL(T)4-7	434	300	734	166	115	34/40
BL(T)4-8	461	300	761	166	115	35/40
BL(T)4-10	515	300	815	166	115	39/44
BL(T)4-12	569	300	869	166	115	40/46
BL(T)4-14	632	325	957	191	140	48/53
BL(T)4-16	686	325	1011	191	140	49/54
BL(T)4-19	767	355	1122	212	163	58/63
BL(T)4-22	848	355	1203	212	163	60/65