



SHF20A/SHF30A



SHFm5AM/SGAm1A

Performance Range

- Max. Flow: 140m³/h
- Max. Head: 24.5m

Application Limits

- Suction head up to 7m
- Liquid temperature up to +40°C
- Ambient temperature up to +40°C
- Max. Working pressure: 3bar
- Voltage fluctuation should not exceed 10% of rated value.
- pH: 6.5 to 8.5

Certificate



Applications Fields

- Suitable for transferring water without abrasive particles or other liquid whose properties are similar to water.
- Widely used in farm irrigation, garden irrigation, breeding industry water supply and drainage, etc.

Features

- Large flow, high efficiency
- Compact structure, easy to install

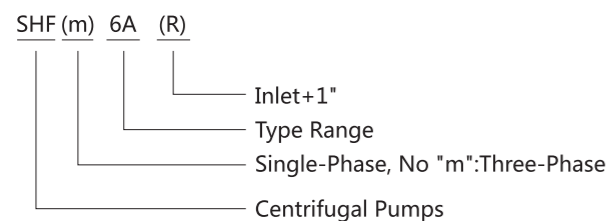
Motor

- Single-Phase 220V/50Hz
- Three-Phase 380V/50Hz
- Mechanical seal: Ceramic/Graphite/NBR rubber
- Motor: 2 pole asynchronous motor, copper wires, built-in thermal protector, fully closed fan cooling, continuous running
- Protection: IP44
- Insulation: Class B
- Insulation: Class F (3-7.5kW)

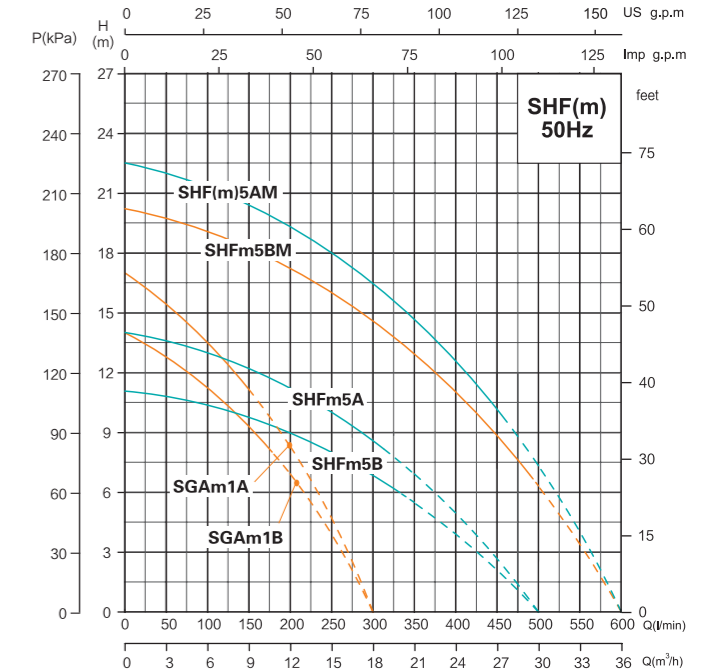
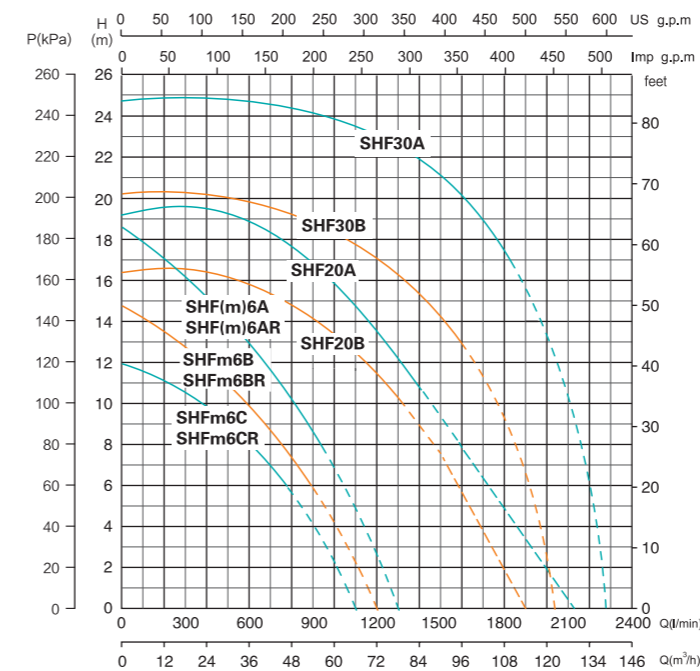
Optional Available on Request

- (* Standard configuration on Page 23)
- 304 stainless steel welding shaft
- Electrophoretic pump body and connections
- NSK bearing
- Motor whose insulation class is F
- Other voltage or frequency is 60Hz

Model Instruction

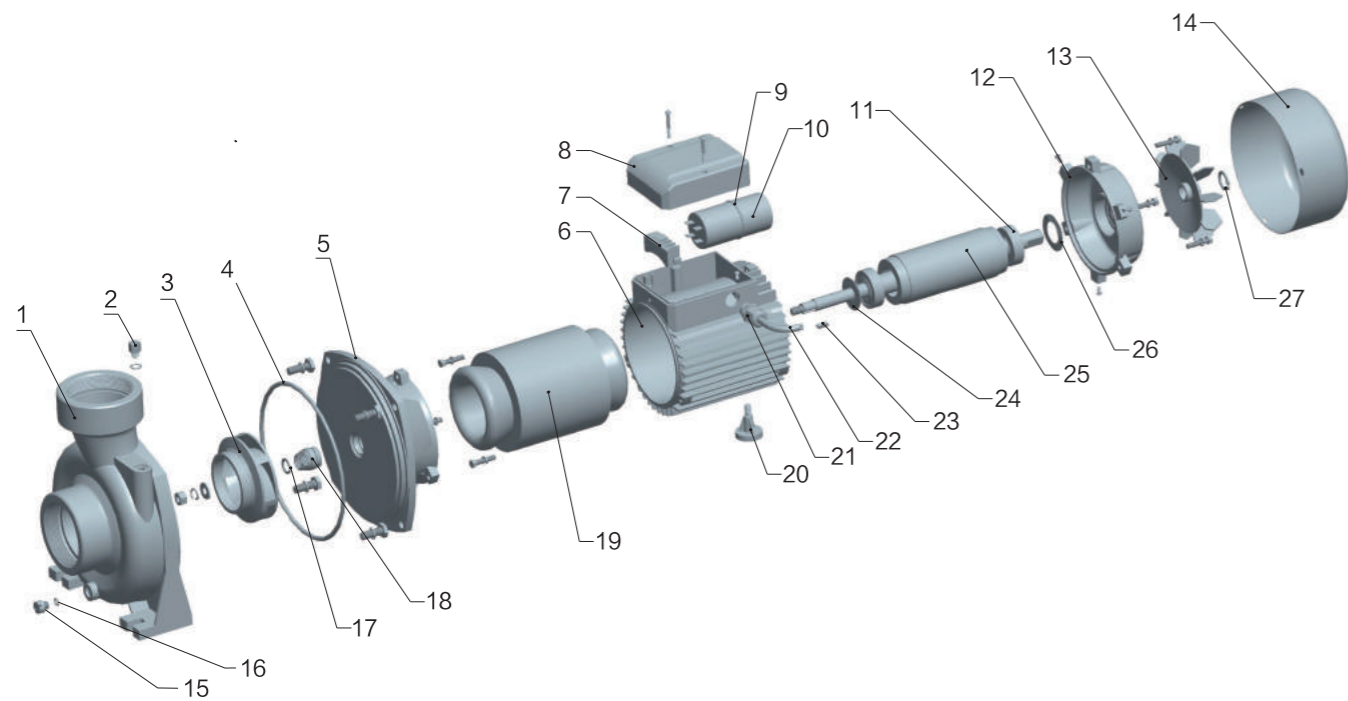


Performance Curve



Model		Power		Max. Flow (m ³ /h)	Max. Head (m)	Head Range (m)	Max. Suction (m)
Single-Phase	Three-Phase	kW	HP				
SGAm1B	--	0.55	0.75	18	14	8~14	7
SGAm1A	--	0.75	1	18	17	11~17	7
SHFm5B	--	0.75	1	30	11	6~11	7
SHFm5A	--	1.1	1.5	30	14	8~14	7
SHFm5BM	--	1.1	1.5	36	20.2	7~20.2	7
SHFm5AM	SHF5AM	1.5	2	36	22.5	10~22.5	7
SHFm6C	--	1.1	1.5	66	11.9	6~11.9	7
SHFm6B	--	1.5	2	72	14.7	6~14.7	7
SHFm6A	SHF6A	2.2	3	78	18.5	8~18.5	7
SHFm6CR	--	1.1	1.5	66	11.9	6~11.9	7
SHFm6BR	--	1.5	2	72	14.7	6~14.7	7
SHFm6AR	SHF6AR	2.2	3	78	18.5	8~18.5	7
--	SHF20B	3	4	114	16.5	10~16.5	7
--	SHF20A	4	5.5	129	19.5	11~19.5	7
--	SHF30B	5.5	7.5	125	20	13~20	7
--	SHF30A	7.5	10	140	24.5	17~24.5	7

Components & Materials

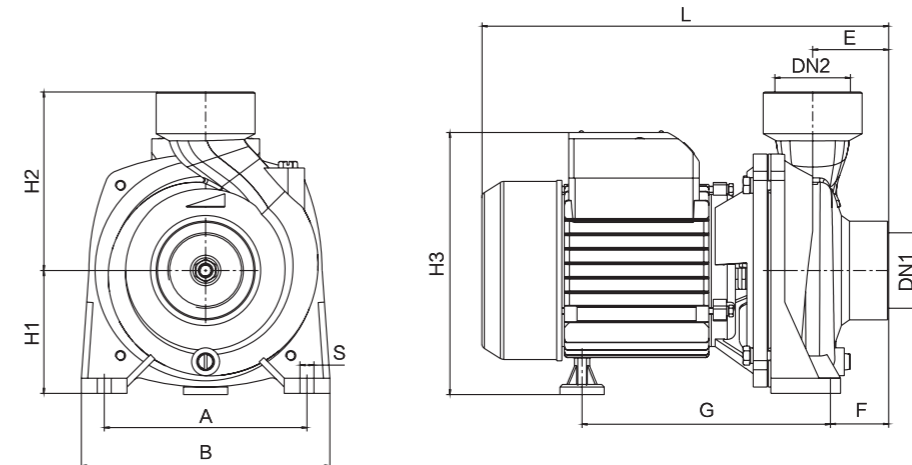


No.	Component	No.	Component	No.	Component
1	Pump Body	10	Capacitor	19	Stator
2	Air Faucet	11	Bearing	20	Foor
3	Impeller	12	End Cover	21	Cable Locking Head
4	O-ring	13	Fan	22	Cable
5	Coupling	14	Fan Cover	23	Key
6	Motor Case	15	Water Faucet	24	Waterproof Ring
7	Terminal Board	16	O-ring	25	Rotor
8	Terminal Block Cover	17	Shaft Circlip	26	Wave Spring
9	O-ring	18	Mechanical Seal	27	Shaft Circlip

NO.	Model	SGAm1A	SGAm1B	SHFm5A	SHFm5B	SHFm5AM	SHF5AM	SHFm5BM	SHFm6A	SHF6A	
10	Capacitor	20 μF/450V	12 μF/450V	20 μF/450V	20 μF/450V	40 μF/450V	/	25 μF/450V	35 μF/450V 250 μF/250V	/	
11	End-cover Bearing	6202-2RZ			6204-2RZ	6204-2RZ	6204-2RZ	6205-2RZ	6205-2RZ		
	Coupling Bearing	6202-2RZ			6204-2RZ	6204-2RZ	6204-2RZ	6304-2RZ	6304-2RZ		
	Motor Shaft	Steel 45#									
18	Mechanical Seal	301-14/21 S:A(P) Stationary seal ring ø30				155-17/30 B:A(P) Stationary seal ring ø26.9					
		A:Graphite B:Alumina ceramic S:RBSC P:NBR									
6	Motor Case	Aluminum									
5	Coupling	Aluminum							Cast iron		
1	Pump Body	Cast iron									
3	Impeller	Copper				Cast iron or Copper					

NO.	Model	SHFm6B	SHFm6C	SHFm6AR	SHF6AR	SHFm6BR	SHFm6CR	SHF20B	SHF20A	SHF30B	SHF30A	
10	Capacitor	40 μF/450V	25 μF/450V	35 μF/450V 250 μF/250V	/	40 μF/450V	25 μF/450V	/	/	/	/	
11	End-cover Bearing	6204-2RZ	6204-2RZ	6205-2RZ	6205-2RZ	6205-2RZ	6205-2RZ	6205-2RS/C3Z2	6206-2RS/C3Z2	6206-2RS/C3Z2	6208-2RS/C3Z2	
	Coupling Bearing	6205-2RZ	6205-2RZ	6304-2RZ	6304-2RZ	6304-2RZ	6304-2RZ	6205-2RS/C3Z2	6206-2RS/C3Z2	6206-2RS/C3Z2	6208-2RS/C3Z2	
	Motor Shaft	Steel 45#						304+Steel 45#				
18	Mechanical Seal	155-17/30 B:A(P) Stationary seal ring ø26.9						701-20/29 S:K(PC) Stationary seal ring ø35	701-25/31 S:K(PC) Stationary seal ring ø40	701-28/32 S:K(PC) Stationary seal ring ø43		
		A:Graphite B:Alumina ceramic S:RBSC P:NBR										
6	Motor Case	Aluminum										
5	Coupling	Cast iron										
1	Pump Body	Cast iron										
3	Impeller	Cast iron or Copper								Cast iron		

Dimensions & Weight



Model		DN1	DN2	Dim.(mm)										N.W. (kg)
Single-phase	Three-phase	(Inch)		A	B	E	F	G	L	S	H1	H2	H3	
SGAm1A	--	1.5	1.5	160	190	41	91	129	299	10	95	135	204	11.5
SGAm1B	--	1.5	1.5	160	190	41	91	129	299	10	95	135	204	10.5
SHFm5A	--	2	2	160	196	59	45	194	318	11	91	140	206	14
SHFm5B	--	2	2	160	196	59	45	194	318	11	91	140	206	13
SHFm5AM	SHF5AM	2	2	160	206	62	61	226	377	11	110	150	234	21/21.5
SHFm5BM	--	2	2	160	206	62	61	226	377	11	110	150	234	18.5
SHFm6A	SHF6A	3	3	180	230	68	68	257	438	12	120	192	279	35/32
SHFm6B	--	3	3	180	230	68	68	239	397	12	120	192	244	29
SHFm6C	--	3	3	180	230	68	68	239	397	12	120	192	244	28
SHFm6AR	SHF6AR	4	4	190	240	68	68	257	438	12	120	192	279	36/36
SHFm6BR	--	4	4	190	240	68	68	239	397	12	120	192	244	27.5
SHFm6CR	--	4	4	190	240	68	68	239	397	12	120	192	244	26.5
--	SHF20B	4	4	190	260	80	50	302	461	14	132	180	267	40
--	SHF20A	4	4	190	260	80	50	286	482	14	132	180	288	44
--	SHF30B	4	4	212	292	82	52	301	509	14	160	210	350	59
--	SHF30A	4	4	212	292	82	52	318	555	14	160	210	350	73